

EnerSol 255  
Solar Panel Energy  
Tel 083 544 2484 / 084 442 4235  
South Africa

# enerSol

by **SD**DirectPro



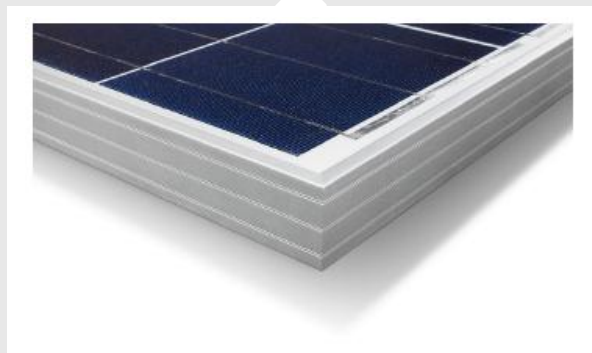
## EnerSol 255

**+** 0/+5 WP POSITIVE TOLERANCE

**🏠** ROOFTOP AND OFF-GRID DESIGN

**✓** HIGH QUALITY

25 year linear performance warranty  
10 year product warranty

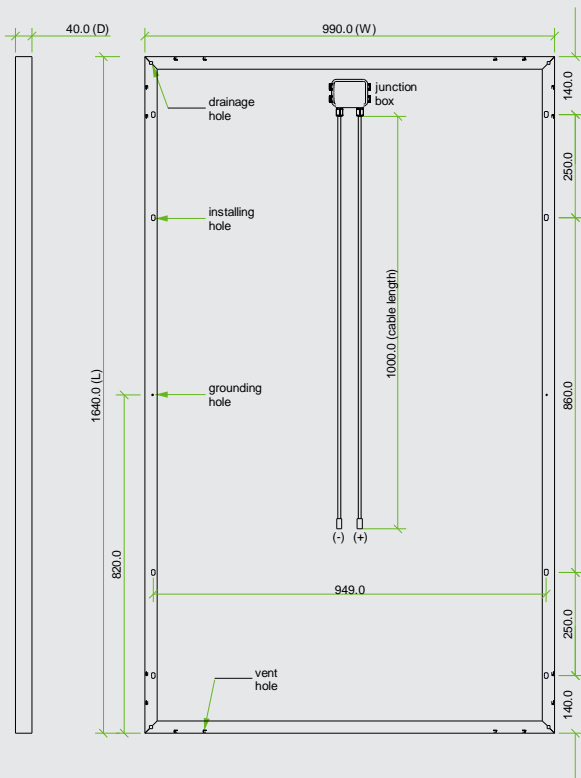


# enerSol

High quality solar panels designed  
for rooftop and off-grid applications

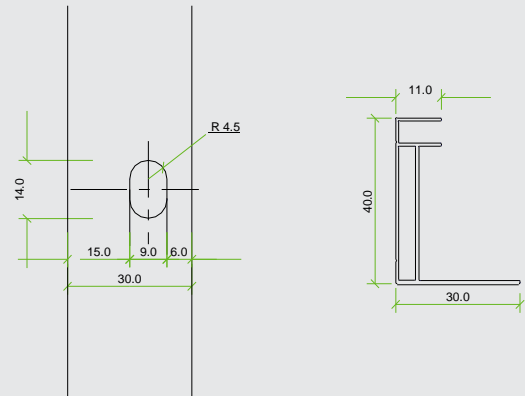


# EnerSol 255



## General characteristics

Cell	polycrystalline solar cell 156 x 156 mm
No. of Cells (Connections)	60 (6x10)
Panel Dimensions	1640 x 990 x 40 mm
Weight	19.0 kg
Connectors and Cables	Connectors and 1m cables



## Thermal conditions

Normal Operating Cell Temperature 800W/m <sup>2</sup> Irradiance, 20°C, AM = 1.5	48°C ± 2°C
Power Temperature Coefficient	- 0.5%/K
Current Temperature Coefficient	0.035%/K
Voltage Temperature Coefficient	- 0.37 MV/K

## Limits

Operating Temperature	- 40°C to 85°C
Maximum System Voltage	1000V DC

## Electric performance at STC \*

Maximum Power	255 Wp
Power Tolerance	0/+5 Wp
Module efficiency	15.7%
Maximum Power Voltage	30.4V
Maximum Power Current	8.39A
Open Circuit Voltage	37.5V
Short Circuit Current	8.86A

\*Standard Test Conditions : 1000W/m<sup>2</sup> irradiance, 25°C and AM = 1.5

## High performance

**25** 25 Years  
linear performance

**10** 10 Years  
product warranty

